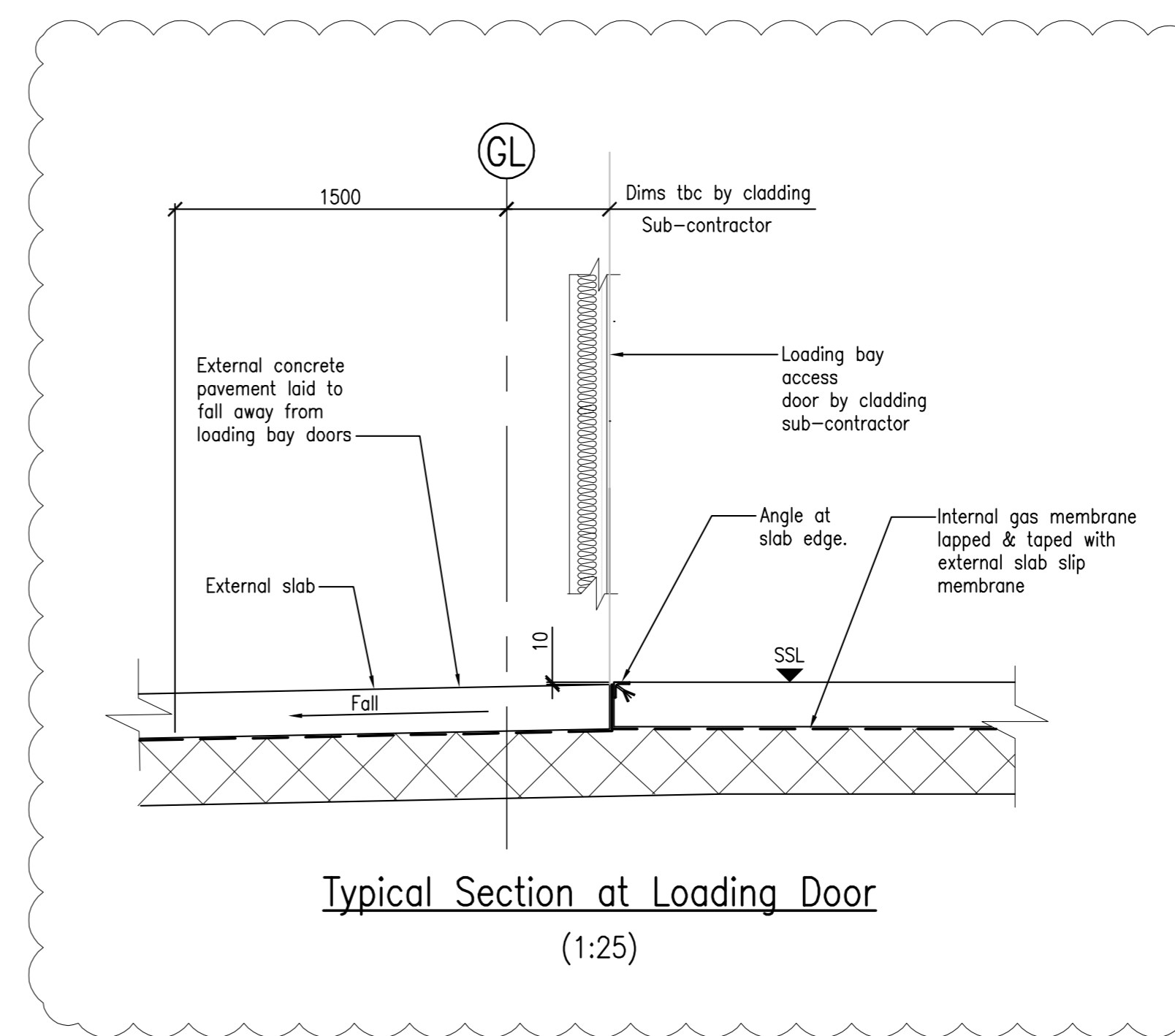
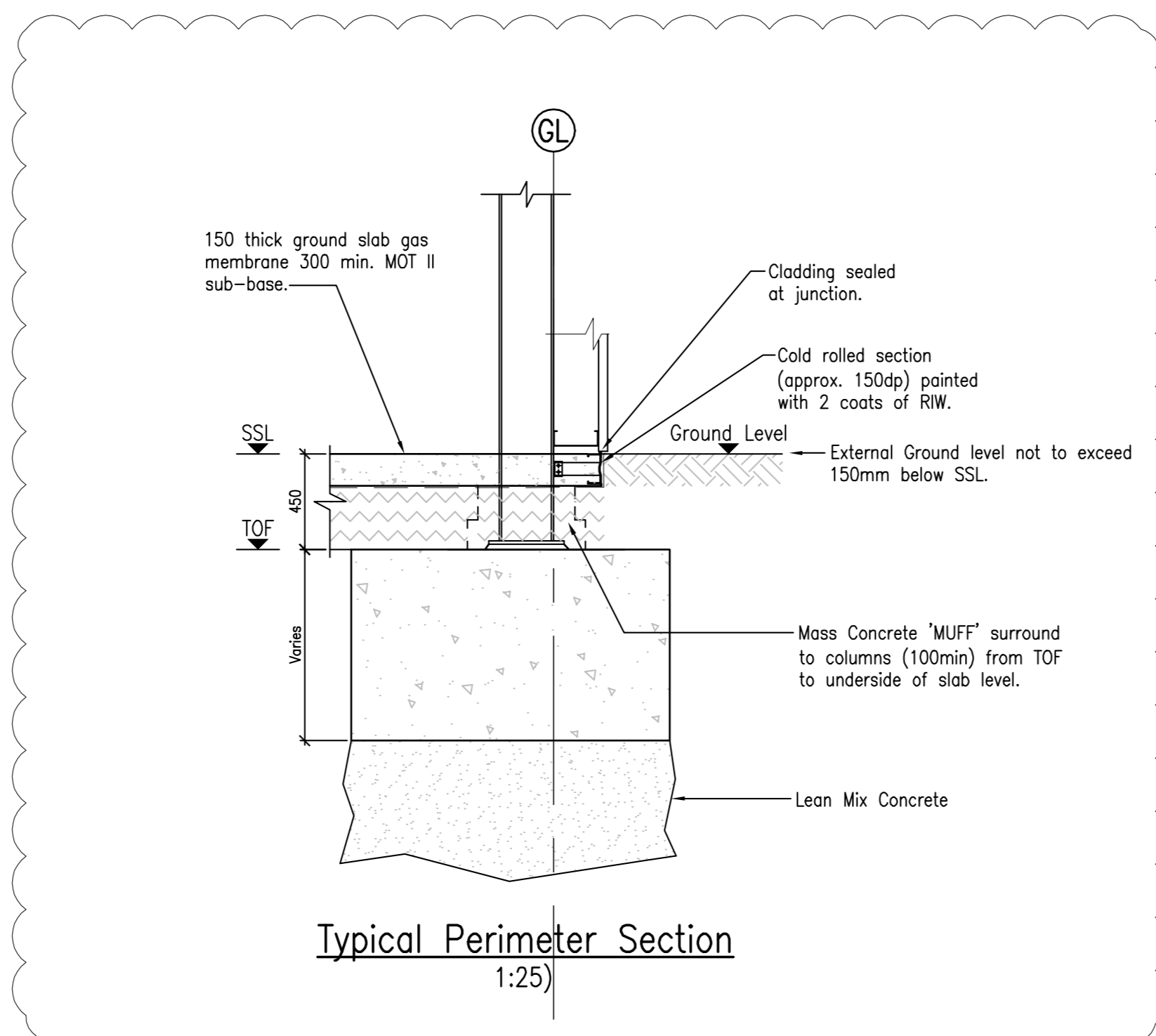
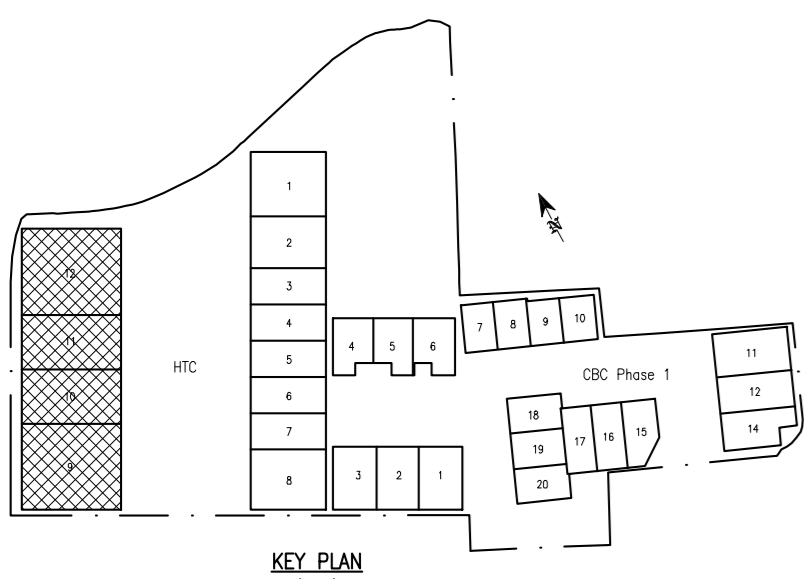


UNITS 9-12
FFL=5250
TOF=4800

REF	DESCRIPTION	TYPE
A	500 X 500 X 750 thick *	MASS CONCRETE
C	900 X 900 X 750 thick *	MASS CONCRETE
D	1050 X 1050 X 750 thick *	MASS CONCRETE
J	1400 X 2400 X 750 thick *	RC

R.C. pads to have T16's @ 150 c/c EW in Top and Bottom with 75mm cover

* Refer to note 6



Notes:

- Do not scale from this drawing.
- In case of any discrepancies in drawings, details or bills, refer to engineers for clarification: unilateral decisions by the Contractor will not be accepted.
- This drawing is to be read in conjunction with all related Architects, Consultants & Sub-Contractors drawings and specifications.
- The Contractor is advised that all design drawings and information are to be read concurrently and any discrepancies or omissions reported directly to PTA Structural Department.
- All foundations to be centered under steelwork UNO.
- Foundations to be placed beneath any made ground within the natural terrace deposits where a safe net allowable ground bearing pressure of 250kN/m² can be considered. Soil under ground slabs to be vibro treated by a specialist sub-contractor to achieve a safe ground bearing pressure of 50kN/m² as noted in the soil investigation report by Soil Consultants Ltd ref no 4069/OT/TSR dated 31st January 2006.

© Powell Tolner & Associates
The contents of this drawing may not be reproduced in whole or in part without the prior written permission of Powell Tolner & Associates.

Drawing Status
NOT FOR CONSTRUCTION

A	Sections added, notes revised	TdB	20.12.06	LA
Rev.	Description	By	Date	Chk'd

Project Title
CBC Southampton

Drawing Title
**Phase 1 - HTC Units 9-12
Foundation GA**

Date	Oct '06	Checked DO	Checked ENG
Drawn	MB		
Scale	1:200		

Project No.	Drawing No.	Rev.
7836	005	A

Consulting Engineers,
29 Red Lion Street,
Chesham,
Bucks.
HP5 1EJ

Tel: 01494 772721
Fax: 01494 775304
E-mail: central@ptaconsult.co.uk

pta
POWELL
TOLNER &
ASSOCIATES